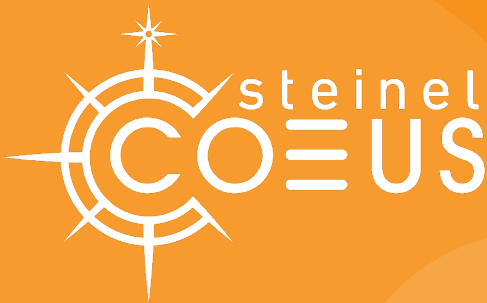


● steinel



COEUS™

Building Intelligence & Centralized
Control Management Platform

STEINEL Sensors & Software Solutions

COEUS™ is the STEINEL proprietary building intelligence platform, that provides reporting, analytics and updating to the STEINEL DCS™ Connect. Coeus was the Titan god of intelligence and foresight, who gained great knowledge to see past the obvious. He was the Titan of the North pillar connecting the earth to heavenly knowledge and the North Star. STEINEL's COEUS™ is your guiding light, providing data and analytics to see beyond the obvious and bring intelligence to buildings.

BACnet Controller



DCS Connect



Control Pro Digital



US Oneway DCS



US Hallway DCS



US Quattro DCS



IR Quattro DCS



IR Quattro HD DCS



DT Quattro DCS

**BEST
SELLING
CONTROL
PRO SERIES**

Reporting

- Phase Voltage Relay
- Phase Current Relay 1-3
- Phase Active Power Relay 1-3
- Photosensor Device
- Demand Response
- External Time Signal
- Occupancy Status Device
- Astro Clock Status
- Relay Status



Micro Digital Sensors



IR Quattro MICRO DCS



IR Quattro SLIM XS DCS



PS WL DCS

NEW WET
LOCATION
PHOTO
SENSOR

Updates

- PWM Level Relay 1-3
- Demand Response Dim Level
- Phase 2 & 3 Voltage Set
- Occupancy Delay Time
- Occupancy Dim Level
- Occupancy Dim Rate
- Photosensor Desk FC
- Photosensor Dim Rate
- Demand Response En/Dis
- External Time Signal En/Dis
- Occupancy Operating Mode
- Photosensor Mode Device
- SOP x TS x Start / End Times
Relay 1-3
- Relay Status

IS Digital Series



Luminaire Adapter
for IS 3360 and IS 345



IS 3180 DCS



IS 3360 DCS

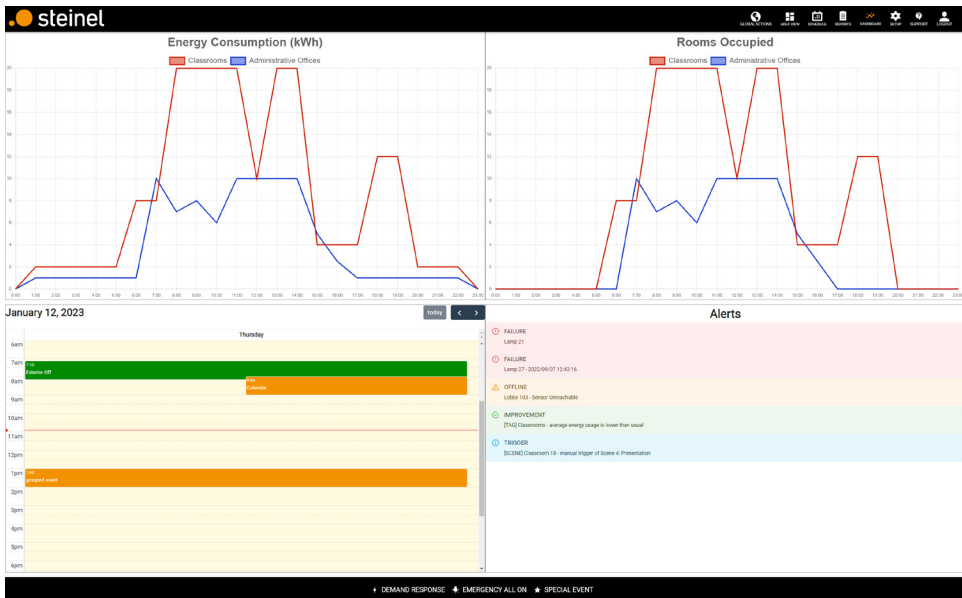


IS 345 DCS

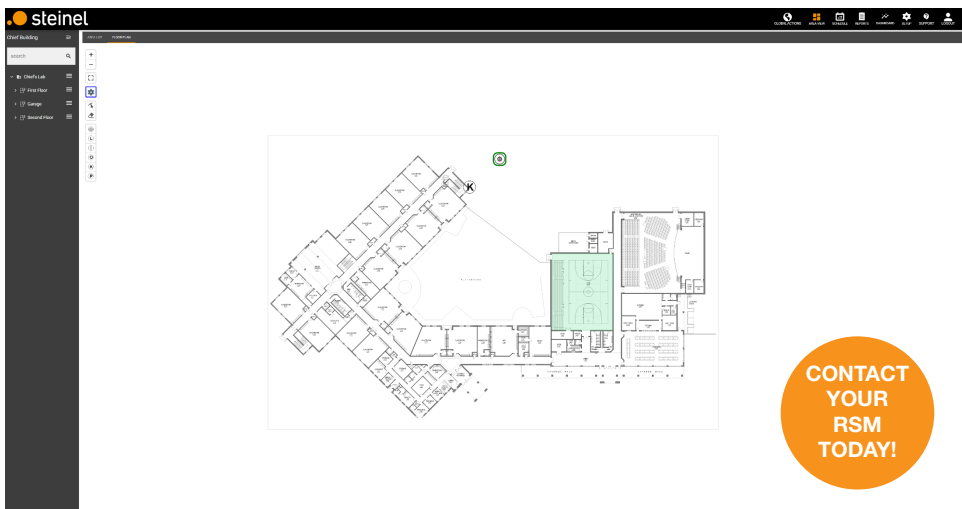


IS 345 HB DCS

WET
LOCATION
RATED



Introducing COEUS (pronounced “See Us”), STEINEL America’s building intelligence platform for centralized lighting control and building management. COEUS takes STEINEL’s DCS Connect to the next level of advanced technology, featuring new capabilities, such as centralized scheduling, reporting, alerts and more, allowing for full lighting control. Combined with STEINEL’s industry leading sensor technology and feature packed Digital Control Solution, COEUS delivers a cost effective and easy to install building intelligence solution.

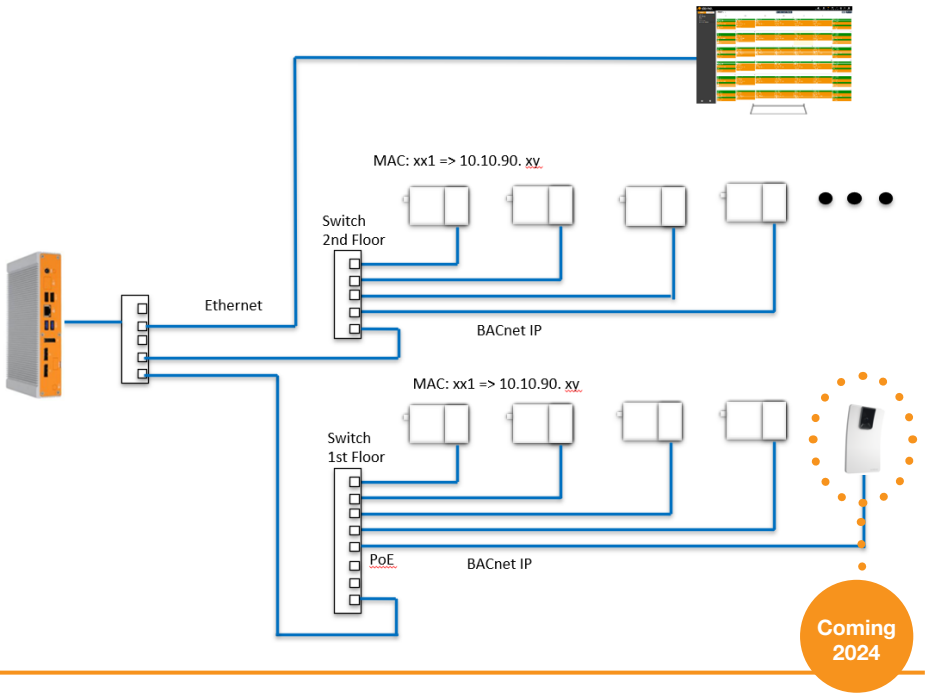


DCS Connect

DCS Connect with BACnet is a cost-effective, digital controller that maximizes energy savings while allowing occupants to control their lighting preferences. With all the standard DCS features included, plus the addition of BACnet, integration into building intelligence and management systems is now viable expanding the projects to include entire buildings.

COEUS connects easily to the DCS Connect via the industry adopted BACnet open protocol, that can be used to connect most any building management system. DCS Connect offers a robust library of BACnet objects to provide flexibility in maximizing energy savings and securely enabling facility managers to control their lighting preferences. The standard DCS functions provide a standalone resilient architecture with DCS Connect and COEUS providing convenient remote access, monitoring and control.





STEINEL's COEUS building intelligence platform is based on BACnet TCP/IP open protocol. The COEUS solution runs on an on-site local PC-based processor, provided by STEINEL. Remote access is securely granted to end users through the end customer's VPN behind their own firewall. Information is collected and analyzed on site, with no transmission to cloud services, keeping the building owner's data safe while providing access only to authorized users.

STEINEL DCS Connect collects information from digital occupancy sensors, light switches, photocells and other devices, then reports information back to COEUS. This information allows facility managers to be proactive, saving time and energy translating to monetary savings. The entire building can be scheduled from a centralized location vs. individual rooms. Advanced scheduling, Demand Response, and the ability to configure occupancy sensors are just some of the current capabilities with expansion into other building systems in the future.



The STEINEL DCS Connect and COEUS is a perfect solution for full building intelligence and centralized control management, such as office buildings and schools. STEINEL is your one-stop sensors and software solutions.





Steinel America, Inc.
9051 Lyndale Ave. South
Bloomington, MN 55420
Support: (800) 852-4343
Email: sales@steinel.net
www.steinel.net

